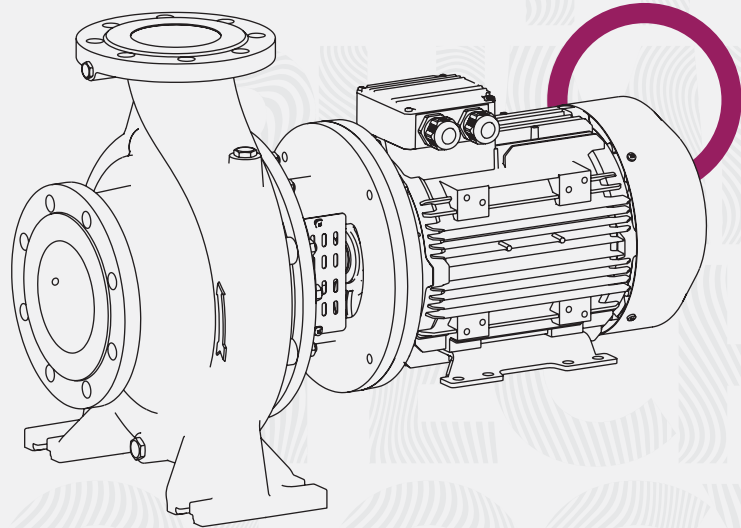




TKF-M Series

Monoblock End Suction Centrifugal Pump

Monoblok Uçtan Emişli Santrifüj Pompa



05.2021 - v3



www.sempapompa.com



power **traction** thrust



PUMP
TECH
NOLOGY

GENERAL INFORMATION

Discharge Flange	DN 32 - DN 150
Capacity	up to 500 m ³ /h
Head	up to 100 m
Working Temperature	From -25 °C to +140 °C*
Casign Pressure (Pmax)	10 bar (16 bar)*

(Pmax: Suction Pressure + Shut off Head)

(*) Depending on the type of liquid, operating temperature and pressure. The pump material changes. Please contact our company fo detailed information.

Transferable Liquids

- Clean or slightly contaminated low viscosity liquids withoutü solid & fibrous particles.

Shaft Sealing

- Depending on customer request or liquid type, mechanical seals are available.

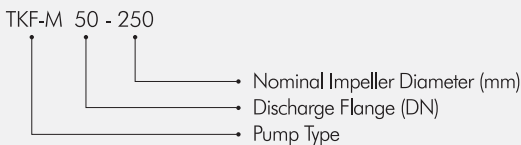
Applications

Water Treatment and Pressurization	Marine
Heating Ventilating and Air Conditioning	Fire Fighting
Agricultural Irrigation and Drainage	Food and Beverage Industry

Design Features

- Monoblock centrifugal pumps with horizontal shaft, volute casing, single stage, end suction and closed impeller.
- The main dimensions of the housing comply with EN 733 standards.
- Design according to EU 547/2012 energy rating.
- Suction and discharge flanges according to EN 1092 - 2 / PN 16. Flanges are suitable for EN 1092 - 1 / PN 16 in pumps with steel or stainless steel body material. Pumps could be produced with ANSI / ASME flanges optionally.
- Pumps are used with electric motors of high efficiency class according to IEC structure sizes.
- All impellers are balanced dynamically or statically according to ISO 1940 class 6.3.
- The axial force is balanced with the wheel balancing holes system.
- The direction of rotation is clockwise by the engine.
- Monoblock pumps are smaller and lighter than the same hydraulic centrifugal pumps.
- Optionally, pumps can be manufactured with wear ring and / or shaft bushings.
- The pump shaft is connected to the motor shaft with a plug-in shaft or rigid coupling. The axial and radial forces of the pump have covered by the motor bearings.

Pump Code



GENEL BİLGİLER

Basma Flaşı	DN 32 - DN 150
Debi	500 m ³ /h 'ye kadar
Basma Yüksekliđi	100 m 'ye kadar
Çalıřma Sıcaklıđı	-25 °C den +140 °C'ye kadar*
Gövde Basıncı (Pmaks)	10 bar (16 bar)*

(Pmaks: Emme Basıncı + Kapalı Vanadaki Basma Yüksekliđi)

(*) Basılan sıvının cinsine, çalıřma sıcaklıđı ve basıncına bađlı olarak pompa malzemesi deđiřir. Ayrıntılı bilgi için firmamıza bařvurunuz.

Basılabilen Sıvılar

- İinde katı paracıklar ve elyaf bulunmayan, temiz veya ok hafif kirli, dūřuk viskoziteli sıvılar.

Mil Sızdırmazlıđı

- Mūřterinin isteđine veya sıvının cinsine gre mekanik salmastra kullanılmaktadır.

Kullanım Yerleri

Su Arıtımı ve Basınlandırılması	Denizcilik
Isıtma, Havalandırma ve İklimlendirme	Yangın Sndürme
Tarımsal Sulama ve Drenaj	Gıda ve İecek Endüstrisi

Tasarım Özellikleri

- Yatay milli, salyangozlu, tek kademeli, uçtan emiřli, kapalı arklı monoblok santrifūj pompalar.
- Gvdenin ana boyutları TS EN 733 standartlarına uygun.
- EU 547/2012 enerji reglasyonuna gre tasarım.
- Emme ve basma flařları TS EN 1092 - 2 / PN 16' ya uygundur. elik veya paslanmaz elik gvde malzemeli pompalarda flařlar TS EN 1092 - 1 / PN 16' ya uygundur. İsteđe bađlı olarak ANSI/ASME flařlı olarak da üretim yapılabilir.
- Pompalar IEC yapı byklklerine uygun yksek verimlilik sınıfında elektrik motorları ile kullanılır.
- Btn arklar ISO 1940 sınıf 6.3' e uygun dinamik veya statik olarak dengelenmektedir.
- Eksenel kuvvet ark dengeleme delikleri sistemi ile dengelenmiřtir.
- Dnme yn motor tarafından bakılınca saat ynndedir.
- Monoblok pompalar, aynı hidrolik zellikteki norm santrifūj pompalara gre daha kk ve hafiftir.
- İsteđe bađlı olarak pompalar ařınma halkalı ve/veya mil burlu imal edilebilir.
- Pompa mili motor miline geme mil veya rijit kaplin ile bađlanmıřtır ve pompanın eksenel ve radyal kuvvetleri motor rulmanları tarafından karřılanmaktadır.

Pompa Kodu



MATERIAL OPTIONS

MALZEME SEÇENEKLERİ

Part List	0.6025	0.7040	0.7043	1.0619	1.4308	1.4309	1.4408	1.4409	1.4500	1.4517	1.4469	1.4317	1.4008	2.1050.01	2.0975.01	2.1096.01	1.4021	1.4021+QT	1.4301	1.4404	1.4460	1.4462	Parça Listesi		
Volute Casing	●	○	○	○	○	○	○	○	○	○	○	○	○	○										Salyangoz Gövde	
Seal Box	●	○	○	○	○	○	○	○	○	○	○	○	○	○											Salmastra Kutusu
Impeller	●	○	○	○	○	○	○	○	○	○	○	○	○	○	○	○						○			Çark
Shaft																	●	○	○	○			○		Mil
Motor Support Foot	●	○	○	○	○	○	○	○																	Motor Taşıyıcı
Wear Ring	○	○	○	○	○	○	○	○	○	○	○	○	○	○	○	○									Aşınma Halkası
Mech. S. Setting Nut																	●	○	○	○			○		Mek. Sal. Ara Burcu
Mech. Seal (*)	EN 12756 / DIN 24250																					Mek. Salmastra (*)			

Mechanical seal can be used in different types and brands depending on working conditions or customer request.

Alıcının isteğine veya çalışma şartlarına bağlı olarak, farklı tip ve markalarda mekanik salmastra kullanılabilir.

- Standard Manufacturing
- Optional

- Standart İmalat
- İsteğe Bağlı

DESCRIPTIONS

DIN

EN

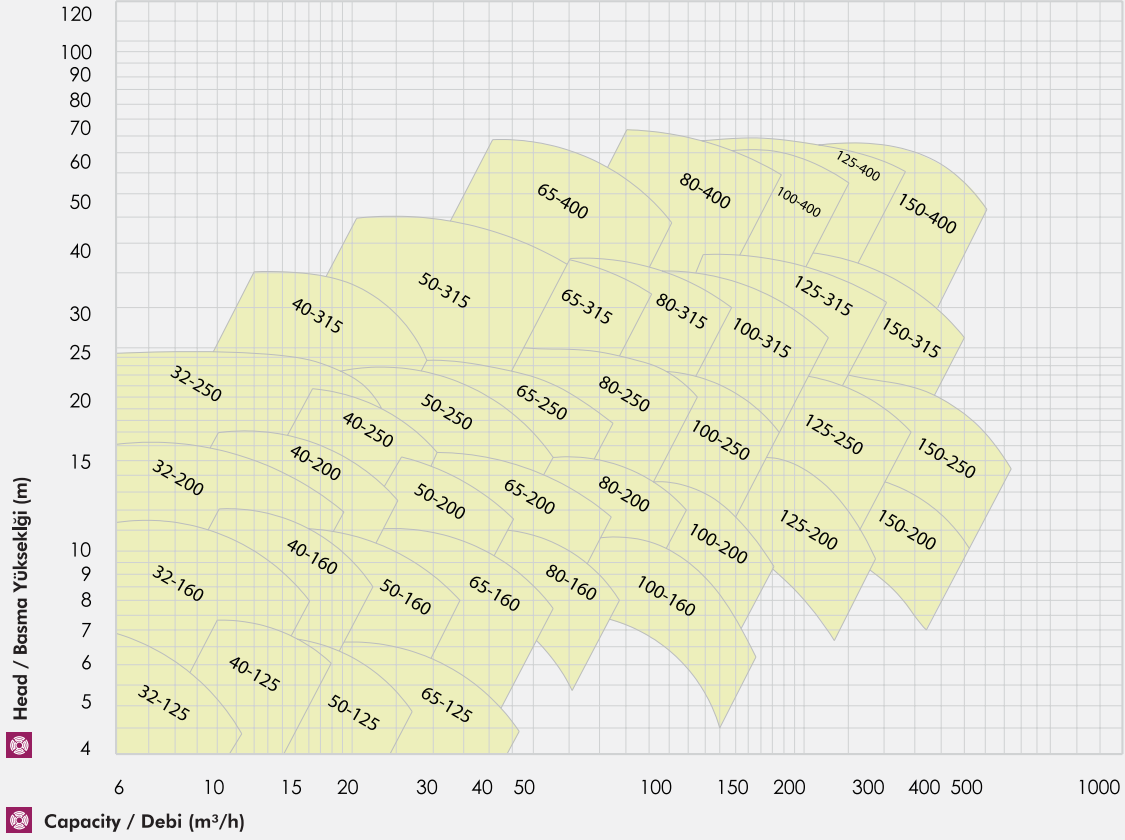
SAISI / SAE / ASTM

TANIM

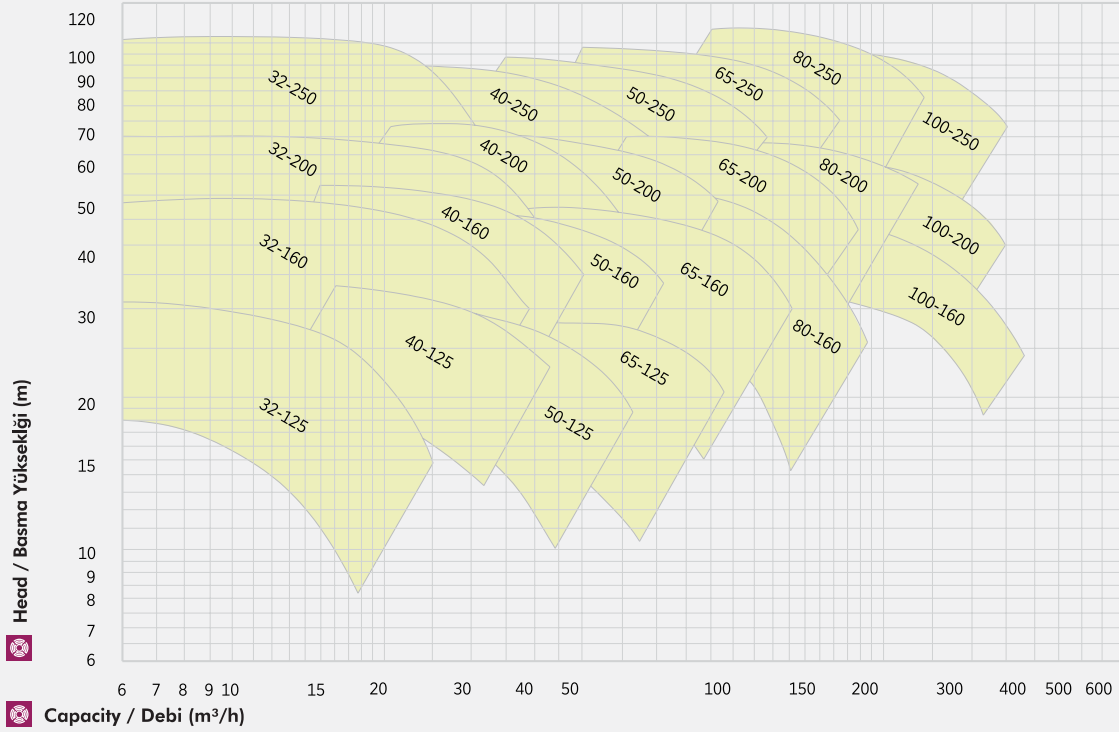
	DIN	EN	SAISI / SAE / ASTM	TANIM
Cast Iron	0.6025	EN-GJL-250 (GG25)	A 48 Class 40-B	Pik Döküm
Nodular Cast Iron	0.7040	EN-GJS-400-15 (GGG40)	A 536 60-40-18	Sfero Döküm
Nodular Cast Iron	0.7043	EN-GJS-400-18-IT (GGG40.3)	A 536 60-40-18	Sfero Döküm
Cast Steel	1.0619	GP240GHGS-C25	A 216 WCB	Çelik Döküm
Chrome Nickel Cast Steel	1.4308	GX5 Cr Ni 19-10	A 351 CF8	Krom Nikelli Çelik Döküm
Chrome Nickel Cast Steel (L.C.)	1.4309	G-X2 Cr Ni 19-11	A 351 CF3	Krom Nikel Çelik Döküm (D.K.)
Chrome Nickel Molybdenum Cast Steel	1.4408	G-X5Cr Ni Mo 19-11-2	A 351 CF8M	Krom Nikel Molibdenli Çelik Döküm
Chrome Nickel Molybdenum Cast Steel (L.C.)	1.4409	G-X2 Cr Ni Mo 19-11-2	A 351 CF3M	Krom Nikel Molibdenli Çelik Döküm (D.K.)
Austenitic - Ferritic Steel	1.4500	G-X7 Ni Cr Mo Cu Nb 25-20	A 351 CF7M	Östenitik Çelik Döküm
Austenitic - Ferritic Cast Steel(dublex)	1.4517	G-X2 Cr Ni Mo Cu N 25-6-3-3	A 890 CD4MCuN	Östenitik-ferritik Çelik Döküm (Duplex)
Austenitic - Ferritic Cast Steel(Super.dublex)	1.4469	G-X2 Cr Ni Mo N 26-7-4	A 890 CE3MN	Östenitik-ferritik Çelik Döküm (S.D.)
Martenzitic Stainless Cast Steel	1.4317	G-X4 Cr Ni 13-4	A 352 CA6NM	Martenzitik Paslanmaz Çelik Döküm
Martenzitic Stainless Cast Steel	1.4008	G-X7 Cr Ni Mo 12-1	A 217 CA15	Martenzitik Paslanmaz Çelik Döküm
Cast Bronze (Tin Alloy)	2.1050.01	G-Cu Sn 10	B 427 C90700	Bronz Döküm (Kalaylı)
Cast Bronze (Nickel Alloy)	2.0975.01	G-Cu Al 10 Ni	B 148 C95500	Bronz Döküm (Nikel Alaşimli)
Cast Bronze	2.1096.01	G-Cu Sn 5Z Pb	B 584 C83600	Bronz Döküm (Kurşunlu)
Chrome Steel	1.4021	X20Cr13	A 276 Type 420	Kromlu Çelik
Chrome Steel	1.4021	X20Cr13	A 276 Type 420+QT	Kromlu Çelik (Isıl İşlem)
Chrome Nickel Molybdenum Steel(L.C.)	1.4301	X5 Cr Ni Mo 18-10	A 276 Type 304	Krom Nikel Çelik
Chrome Nickel Molybdenum Steel(L.C.)	1.4404	X2 Cr Ni Mo N 17-12-2	A 276 Type 316L	Krom Nikel Molibdenli Çelik (D.K.)
Duplex Steel	1.4460	X3 Cr Ni Mo N 27-5-2	SAISI 329	Dubleks Çelik
Duplex Steel	1.4462	X2 Cr Ni Mo N 22-5-3	UNS S32205	Dubleks Çelik



1450 rpm / (d/d) (50 Hz)

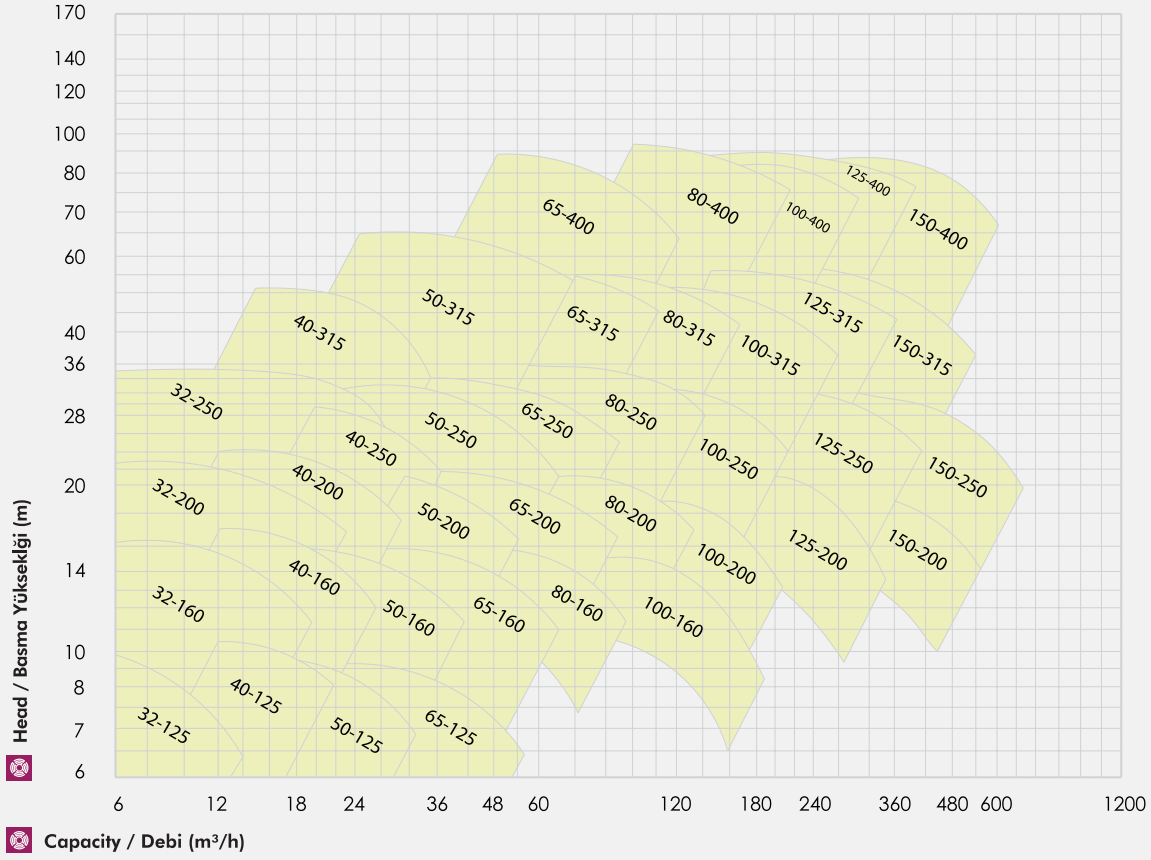


2900 rpm / (d/d) (50 Hz)

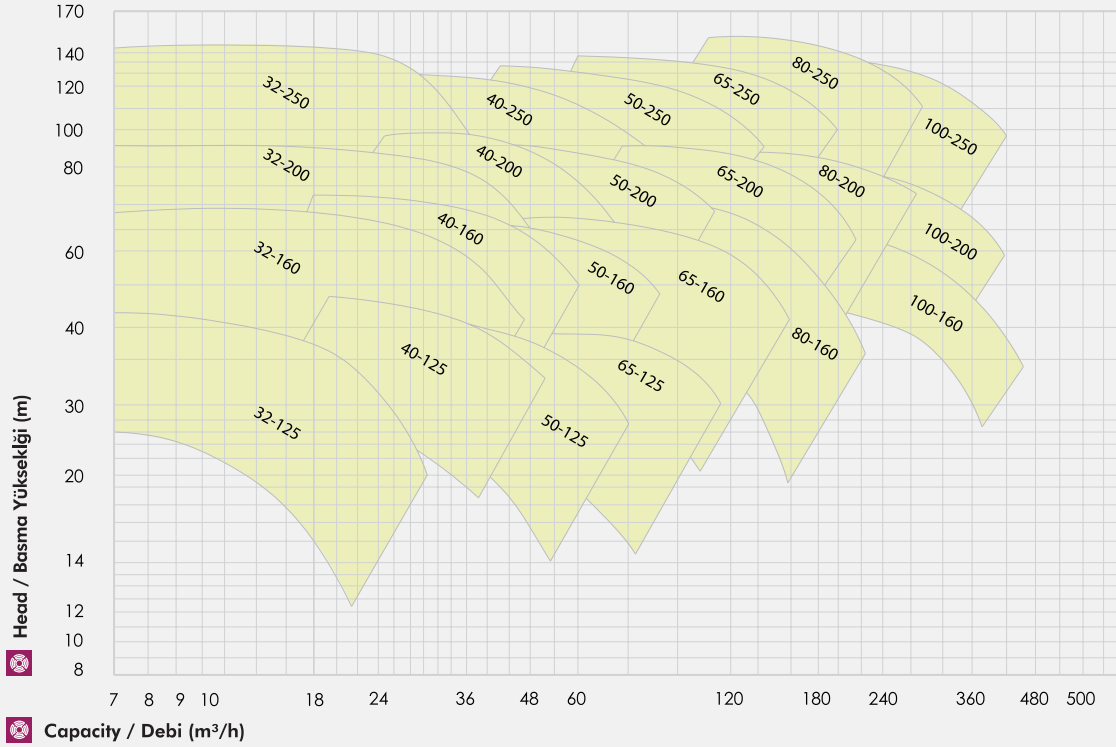

 For detailed curves, use our selection program.

 Detay eğriler için seçim programımızı kullanınız.


1750 rpm / (d/d) (60 Hz)



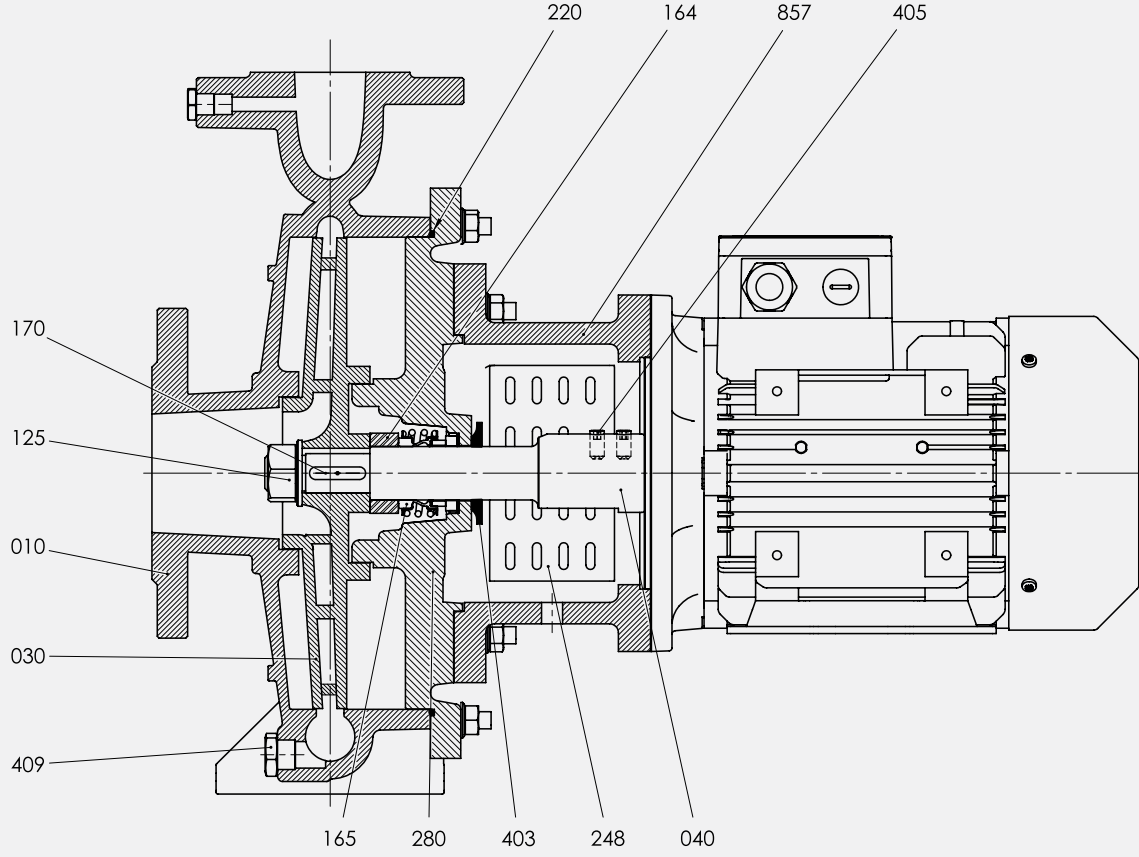
3500 rpm / (d/d) (60 Hz)


 For detailed curves, use our selection program.

 Detay eğriler için seçim programımızı kullanınız.

SECTIONAL VIEW

KESİT RESİM



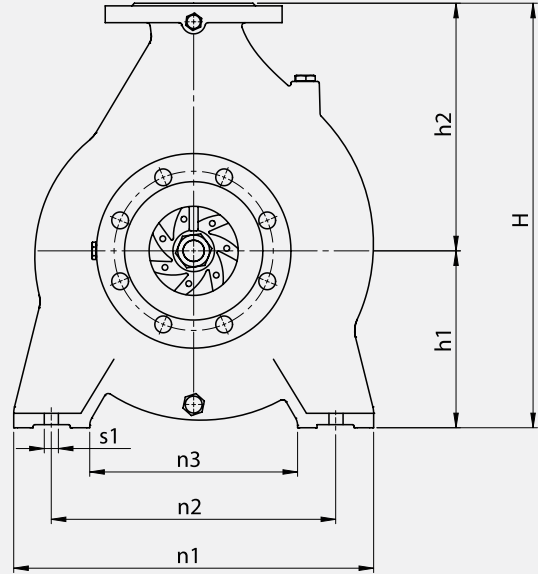
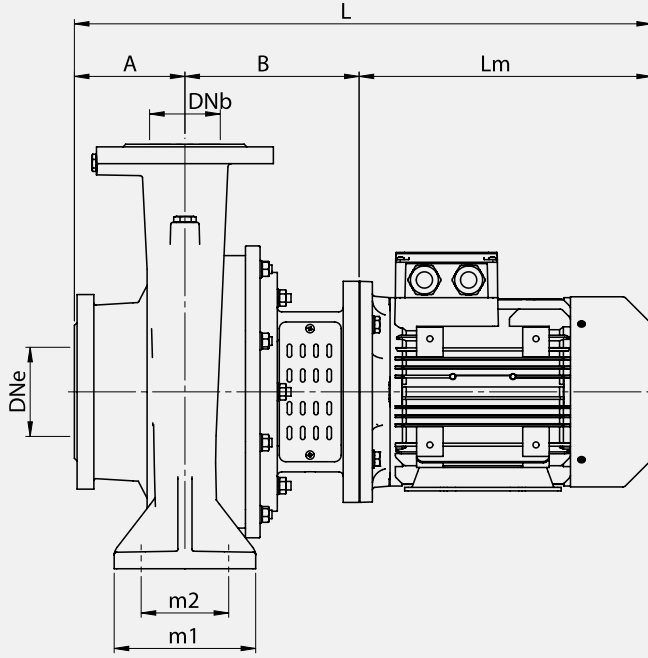
Part List

Parça Listesi

Volute Casing	010	Salyangoz Gövde
Impeller	030	Çark
Shaft	040	Mil
Nut	125	Somun
Mechanical Seal Setting Sleeve	164	Mekanik Salmastra Mesafe Burcu
Mechanical Seal	165	Mekanik Salmastra
Key	170	Kama
O-Ring	220	O-Ring
Protection Sheet	248	Koruma Sacı
Seal Box	280	Salmastra Kutusu
Throw Protection	403	Su Sıçratma Diski
Set Screw	405	Setskur
Drain Plug	409	Boşaltma Tapası
Motor Support Foot	857	Motor Taşıyıcı



1500 rpm / (d/d)



Pump Type Pompa Tipi	Motor		Dimensions / Ölçüler (mm)															Weight Ağırlık (kg)
			Outside Dimensions / Dış Ölçüler															
	kW	IEC	DNe	DNb	A	B	Lm	L	H	h1	h2	n1	n2	n3	s1	m1	m2	
32-125	0,37	71M	50	32	80	152	210	442	252	112	140	190	140	90	14	100	70	30
32-160	0,37	71M	50	32	80	148	210	478	292	132	160	240	190	140	14	100	70	35
32-160	0,55	80M	50	32	80	183	233	495	292	132	160	240	190	140	14	100	70	41
32-160	0,75	80M	50	32	80	183	233	495	292	132	160	240	190	140	14	100	70	42
32-200	0,75	80M	50	32	80	183	233	496	340	160	180	240	190	140	14	100	70	48
32-200	1,1	90S	50	32	80	183	273	536	340	160	180	240	190	140	14	100	70	53
32-200	1,5	90L	50	32	80	183	273	536	340	160	180	240	190	140	14	100	70	56
32-250	1,1	90S	50	32	100	181	273	554	405	180	225	320	255	190	14	125	95	62
32-250	1,5	90L	50	32	100	181	273	554	405	180	225	320	255	190	14	125	95	65
32-250	2,2	100L	50	32	100	181	307	588	405	180	225	320	255	190	14	125	95	72
32-250	3	100L	50	32	100	181	307	588	405	180	225	320	255	190	14	125	95	73
40-125	0,37	71M	65	40	80	154	210	444	252	112	140	210	160	110	14	100	70	31
40-125	0,55	80M	65	40	80	164	233	477	252	112	140	210	160	110	14	100	70	35
40-160	0,37	71M	65	40	80	150	210	440	292	132	160	240	190	140	14	100	70	37
40-160	0,55	80M	65	40	80	185	233	498	292	132	160	240	190	140	14	100	70	43
40-160	0,75	80M	65	40	80	185	233	498	292	132	160	240	190	140	14	100	70	44
40-160	1,1	90S	65	40	80	185	273	538	292	132	160	240	190	140	14	100	70	48

1500 rpm / (d/d)

Pump Type Pompa Tipi	Motor		Dimensions / Ölçüler (mm)														Weight Ağırlık (kg)	
			Outside Dimensions / Dış Ölçüler															
	kW	IEC	DN _e	DN _b	A	B	L _m	L	H	h ₁	h ₂	n ₁	n ₂	n ₃	s ₁	m ₁		m ₂
40-200	0,75	80M	65	40	100	183	233	516	340	160	180	265	212	165	14	100	70	51
40-200	1,1	90S	65	40	100	183	273	556	340	160	180	265	212	165	14	100	70	55
40-200	1,5	90L	65	40	100	183	273	556	340	160	180	265	212	165	14	100	70	58
40-200	2,2	100L	65	40	100	183	307	590	340	160	180	265	212	165	14	100	70	65
40-250	1,1	90S	65	40	100	180	273	553	405	180	225	320	250	190	14	125	95	65
40-250	1,5	90L	65	40	100	180	273	553	405	180	225	320	250	190	14	125	95	68
40-250	2,2	100L	65	40	100	180	307	587	405	180	225	320	250	190	14	125	95	74
40-250	3	100L	65	40	100	180	307	587	405	180	225	320	250	190	14	125	95	76
40-315	2,2	100L	65	40	100	183	307	590	450	200	250	345	280	190	14	125	95	90
40-315	3	100L	65	40	100	183	307	590	450	200	250	345	280	190	14	125	95	91
40-315	4	112M	65	40	100	183	328	611	450	200	250	345	280	190	14	125	95	104
40-315	5,5	132S	65	40	100	197	413	710	450	200	250	345	280	190	14	125	95	117
50-125	0,37	71M	65	50	100	155	210	465	292	132	160	240	190	140	14	100	70	35
50-125	0,55	80M	65	50	100	165	233	498	292	132	160	240	190	140	14	100	70	38
50-125	0,75	80M	65	50	100	165	233	498	292	132	160	240	190	140	14	100	70	40
50-160	0,75	80M	65	50	100	185	233	518	340	160	180	265	212	165	14	100	70	50
50-160	1,1	90S	65	50	100	185	273	558	340	160	180	265	212	165	14	100	70	54
50-160	1,5	90L	65	50	100	185	273	558	340	160	180	265	212	165	14	100	70	57
50-200	1,1	90S	65	50	100	185	273	558	360	160	200	265	212	165	14	100	70	58
50-200	1,5	90L	65	50	100	185	273	558	360	160	200	265	212	165	14	100	70	60
50-200	2,2	100L	65	50	100	185	307	592	360	160	200	265	212	165	14	100	70	68
50-200	3	100L	65	50	100	185	307	592	360	160	200	265	212	165	14	100	70	70
50-250	2,2	100L	65	50	100	187	307	594	405	180	225	320	250	190	14	125	95	78
50-250	3	100L	65	50	100	187	307	594	405	180	225	320	250	190	14	125	95	80
50-250	4	112M	65	50	100	187	328	615	405	180	225	320	250	190	14	125	95	88
50-250	5,5	132S	65	50	100	197	413	710	405	180	225	320	250	190	14	125	95	106
50-315	4	112M	80	50	125	193	328	646	505	225	280	345	280	190	19	125	95	110
50-315	5,5	132S	80	50	125	206	413	744	505	225	280	345	280	190	19	125	95	125
50-315	7,5	132M	80	50	125	206	413	744	505	225	280	345	280	190	19	125	95	132
50-315	11	160M	80	50	125	246	494	865	505	225	280	345	280	190	19	125	95	160
65-125	0,55	80M	80	65	100	167	233	500	340	160	180	280	212	150	14	125	95	42
65-125	0,75	80M	80	65	100	167	233	500	340	160	180	280	212	150	14	125	95	43
65-125	1,1	90S	80	65	100	167	273	540	340	160	180	280	212	150	14	125	95	47
65-160	0,75	80M	80	65	100	190	233	523	360	160	200	280	212	150	14	125	95	53
65-160	1,1	90S	80	65	100	190	273	563	360	160	200	280	212	150	14	125	95	57
65-160	1,5	90L	80	65	100	190	273	563	360	160	200	280	212	150	14	125	95	60
65-160	2,2	100L	80	65	100	190	307	597	360	160	200	280	212	150	14	125	95	66
65-200	1,5	90L	80	65	100	187	273	560	405	180	225	320	250	190	14	125	95	68
65-200	2,2	100L	80	65	100	187	307	594	405	180	225	320	250	190	14	125	95	75
65-200	3	100L	80	65	100	187	307	594	405	180	225	320	250	190	14	125	95	77
65-200	4	112M	80	65	100	188	328	616	405	180	225	320	250	190	14	125	95	85



 1500 rpm / (d/d)

Pump Type Pompa Tipi	Motor		Dimensions / Ölçüler (mm)															Weight Ağırlık (kg)
			Outside Dimensions / Dış Ölçüler															
	kW	IEC	DN _e	DN _b	A	B	L _m	L	H	h ₁	h ₂	n ₁	n ₂	n ₃	s ₁	m ₁	m ₂	
65-250	3	100L	80	65	100	190	307	597	450	200	250	360	280	200	19	160	120	93
65-250	4	112M	80	65	100	190	328	618	450	200	250	360	280	200	19	160	120	100
65-250	5,5	132S	80	65	100	203	413	716	450	200	250	360	280	200	19	160	120	117
65-250	7,5	132M	80	65	100	203	413	716	450	200	250	360	280	200	19	160	120	124
65-315	5,5	132S	80	65	125	203	413	741	505	225	280	400	315	240	19	160	120	127
65-315	7,5	132M	80	65	125	203	413	741	505	225	280	400	315	240	19	160	120	135
65-315	11	160M	80	65	125	243	494	862	505	225	280	400	315	240	19	160	120	162
65-315	15	160L	80	65	125	243	494	862	505	225	280	400	315	240	19	160	120	175
65-400	11	160M	100	65	125	244	494	863	615	260	355	435	355	275	19	160	120	195
65-400	15	160L	100	65	125	244	494	863	615	260	355	435	355	275	19	160	120	205
65-400	18,5	180M	100	65	125	244	574	943	615	260	355	435	355	275	19	160	120	275
65-400	22	180L	100	65	125	244	574	943	615	260	355	435	355	275	19	160	120	290
65-400	30	200L	100	65	125	244	637	1006	615	260	355	435	355	275	19	160	120	363
80-160	1,5	90L	100	80	125	187	273	585	405	180	225	320	250	190	14	125	95	65
80-160	2,2	100L	100	80	125	186	307	618	405	180	225	320	250	190	14	125	95	72
80-160	3	100L	100	80	125	186	307	618	405	180	225	320	250	190	14	125	95	73
80-200	3	100L	100	80	125	193	307	625	430	180	250	345	280	215	14	125	95	96
80-200	4	112M	100	80	125	193	328	646	430	180	250	345	280	215	14	125	95	105
80-200	5,5	132S	100	80	125	206	413	744	430	180	250	345	280	215	14	125	95	120
80-250	4	112M	100	80	125	197	328	650	480	200	280	400	315	240	19	160	120	108
80-250	5,5	132S	100	80	125	210	413	623	480	200	280	400	315	240	19	160	120	124
80-250	7,5	132M	100	80	125	210	413	623	480	200	280	400	315	240	19	160	120	131
80-250	11	160M	100	80	125	250	494	744	480	200	280	400	315	240	19	160	120	159
80-315	7,5	132M	100	80	125	206	413	744	565	250	315	400	315	240	19	160	120	148
80-315	11	160M	100	80	125	246	494	865	565	250	315	400	315	240	19	160	120	176
80-315	15	160L	100	80	125	246	494	865	565	250	315	400	315	240	19	160	120	188
80-315	18,5	180M	100	80	125	246	574	945	565	250	315	400	315	240	19	160	120	258
80-400	18,5	180M	100	80	125	257	574	956	635	280	355	410	355	270	19	160	120	287
80-400	22	180L	100	80	125	257	574	956	635	280	355	410	355	270	19	160	120	305
80-400	30	200L	100	80	125	257	637	1019	635	280	355	410	355	270	19	160	120	327
80-400	37	225S	100	80	125	287	686	1098	635	280	355	410	355	270	19	160	120	435
100-160	3	100L	125	100	125	194	307	626	480	200	280	360	280	200	19	160	120	91
100-160	4	112M	125	100	125	194	328	647	480	200	280	360	280	200	19	160	120	100
100-160	5,5	132S	125	100	125	204	413	742	480	200	280	360	280	200	19	160	120	118
100-200	3	100L	125	100	125	191	307	623	480	200	280	360	280	200	19	160	120	86
100-200	4	112M	125	100	125	191	330	616	480	200	280	360	280	200	19	160	120	94
100-200	5,5	132S	125	100	125	205	413	743	480	200	280	360	280	200	19	160	120	111
100-200	7,5	132M	125	100	125	205	413	743	480	200	280	360	280	200	19	160	120	116
100-250	5,5	132S	125	100	140	209	413	762	505	225	280	400	315	240	19	160	120	128
100-250	7,5	132M	125	100	140	209	413	762	505	225	280	400	315	240	19	160	120	133
100-250	11	160M	125	100	140	249	494	883	505	225	280	400	315	240	19	160	120	164
100-250	15	160L	125	100	140	249	494	883	505	225	280	400	315	240	19	160	120	186

1500 rpm / (d/d)

Pump Type Pompa Tipi	Motor		Dimensions / Ölçüler (mm)														Weight Ağırlık (kg)	
			Outside Dimensions / Dış Ölçüler															
	kW	IEC	DN _e	DN _b	A	B	L _m	L	H	h ₁	h ₂	n ₁	n ₂	n ₃	s ₁	m ₁		m ₂
100-315	11	160M	125	100	140	248	494	882	565	250	315	400	315	240	19	160	120	182
100-315	15	160L	125	100	140	248	494	882	565	250	315	400	315	240	19	160	120	194
100-315	18,5	180M	125	100	140	240	574	962	565	250	315	400	315	240	19	160	120	263
100-315	22	180L	125	100	140	248	574	962	565	250	315	400	315	240	19	160	120	280
100-315	30	200L	125	100	140	248	637	1015	565	250	315	400	315	240	19	160	120	352
100-400	22	180L	125	100	140	254	574	968	635	280	355	500	400	300	19	200	150	330
100-400	30	200L	125	100	140	254	637	1031	635	280	355	500	400	300	19	200	150	400
100-400	37	225S	125	100	140	284	686	1110	635	280	355	500	400	300	19	200	150	460
100-400	45	225M	125	100	140	284	682	1106	635	280	355	500	400	300	19	200	150	497
100-400	55	250M	125	100	140	284	751	1175	635	280	355	500	400	300	19	200	150	601
125-200	7,5	132M	150	125	140	208	413	761	565	250	315	400	315	240	19	160	120	133
125-200	11	160M	150	125	140	248	494	882	565	250	315	400	315	240	19	160	120	161
125-200	15	160L	150	125	140	248	494	882	565	250	315	400	315	240	19	160	120	174
125-250	11	160M	150	125	140	250	494	884	605	250	355	400	315	240	19	160	120	176
125-250	15	160L	150	125	140	250	494	884	605	250	355	400	315	240	19	160	120	188
125-250	18,5	180M	150	125	140	250	574	964	605	250	355	400	315	240	19	160	120	257
125-250	22	180L	150	125	140	250	574	964	605	250	355	400	315	240	19	160	120	275
125-315	15	160L	150	125	140	257	494	891	635	280	355	500	400	300	23	200	150	233
125-315	18,5	180M	150	125	140	257	574	971	635	280	355	500	400	300	23	200	150	303
125-315	22	180L	150	125	140	257	574	971	635	280	355	500	400	300	23	200	150	320
125-315	30	200L	150	125	140	257	637	1034	635	280	355	500	400	300	23	200	150	388
125-315	37	225S	150	125	140	287	686	1113	635	280	355	500	400	300	23	200	150	450
125-400	37	225S	150	125	140	284	682	1106	715	315	400	500	400	300	23	200	150	473
125-400	45	225M	150	125	140	284	682	1106	715	315	400	500	400	300	23	200	150	509
125-400	55	250M	150	125	140	284	751	1175	715	315	400	500	400	300	23	200	150	614
150-200	11	160M	200	150	160	248	494	902	635	280	335	500	400	300	23	200	95	207
150-200	15	160L	200	150	160	248	494	902	635	280	335	500	400	300	23	200	95	218
150-200	18,5	180M	200	150	160	248	574	982	635	280	335	500	400	300	23	200	95	290
150-250	15	160L	200	150	160	250	494	904	660	280	380	510	400	300	23	200	150	242
150-250	18,5	180M	200	150	160	250	574	984	660	280	380	510	400	300	23	200	150	302
150-250	22	180L	200	150	160	250	574	984	660	280	380	510	400	300	23	200	150	320
150-250	30	200L	200	150	160	250	637	1047	660	280	380	510	400	300	23	200	150	391
150-315	22	180L	200	150	160	262	574	996	680	280	400	550	450	350	23	200	150	332
150-315	30	200L	200	150	160	262	637	1059	680	280	400	550	450	350	23	200	150	403
150-315	37	225S	200	150	160	292	686	1138	680	280	400	550	450	350	23	200	150	463
150-315	45	225M	200	150	160	292	682	1134	680	280	400	550	450	350	23	200	150	500
150-400	45	225M	200	150	160	287	682	1129	765	315	450	550	450	350	23	200	250	516
150-400	55	250M	200	150	160	287	751	1198	765	315	450	550	450	350	23	200	250	621

○ Please contact for 1800 rpm dimensions.
Dimensions can be change according to motor brand.

1800 d/d Ölçüleri için iletişime geçiniz. Motor
markasına göre boyutlar değişebilir.



 **3000 rpm / (d/d)**

Pump Type Pompa Tipi	Motor		Dimensions / Ölçüler (mm)														Weight Ağırlık (kg)	
			Outside Dimensions / Dış Ölçüler															
	kW	IEC	DNe	DNb	A	B	Lm	L	H	h1	h2	n1	n2	n3	s1	m1		m2
32-125	1,1	80M	50	32	80	162	232	474	252	112	140	190	140	90	14	100	70	28
32-125	1,5	90S	50	32	80	162	273	515	252	112	140	190	140	90	14	100	70	38
32-125	2,2	90L	50	32	80	162	273	515	252	112	140	190	140	90	14	100	70	40
32-125	3	100L	50	32	80	184	309	573	252	112	140	190	140	90	14	100	70	48
32-160	3	100L	50	32	80	183	309	572	292	132	160	240	190	140	14	100	70	52
32-160	4	112M	50	32	80	183	328	591	292	132	160	240	190	140	14	100	70	57
32-160	5,5	132S	50	32	80	193	412	685	292	132	160	240	190	140	14	100	70	75
32-160	7,5	132S	50	32	80	193	412	685	292	132	160	240	190	140	14	100	70	80
32-200	4	112M	50	32	80	184	328	592	340	160	180	240	190	140	14	100	70	65
32-200	5,5	132S	50	32	80	196	412	688	340	160	180	240	190	140	14	100	70	82
32-200	7,5	132S	50	32	80	196	412	688	340	160	180	240	190	140	14	100	70	86
32-200	11	160M	50	32	80	236	494	810	340	160	180	240	190	140	14	100	70	118
32-250	7,5	132S	50	32	100	192	412	704	405	180	225	320	250	190	14	125	95	95
32-250	11	160M	50	32	100	235	494	829	405	180	225	320	250	190	14	125	95	127
32-250	15	160M	50	32	100	235	494	829	405	180	225	320	250	190	14	125	95	133
40-125	2,2	90L	65	40	80	164	273	517	252	112	140	210	160	110	14	100	70	42
40-125	3	100L	65	40	80	185	309	574	252	112	140	210	160	110	14	100	70	51
40-125	4	112M	65	40	80	186	328	594	252	112	140	210	160	110	14	100	70	56
40-125	5,5	132S	65	40	80	198	412	690	252	112	140	210	160	110	14	100	70	72
40-160	4	112M	65	40	80	185	328	593	292	132	160	240	190	140	14	100	70	60
40-160	5,5	132S	65	40	80	195	412	687	292	132	160	240	190	140	14	100	70	77
40-160	7,5	132S	65	40	80	195	412	687	292	132	160	240	190	140	14	100	70	81
40-160	11	160M	65	40	80	237	494	811	292	132	160	240	190	140	14	100	70	113
40-200	7,5	132S	65	40	100	195	412	707	340	160	180	265	212	165	14	100	70	93
40-200	11	160M	65	40	100	235	494	829	340	160	180	265	212	165	14	100	70	125
40-200	15	160M	65	40	100	235	494	829	340	160	160	265	212	165	14	100	70	131
40-250	11	160M	65	40	100	233	494	827	405	180	225	320	250	190	14	125	70	131
40-250	15	160M	65	40	100	233	494	827	405	180	225	320	250	190	14	125	95	137
40-250	18,5	160L	65	40	100	233	494	827	405	180	225	320	250	190	14	125	95	148
40-250	22	180M	65	40	100	233	574	908	405	180	225	320	250	190	14	125	95	223
40-250	30	200L	65	40	100	233	630	963	405	180	225	320	250	190	14	125	95	296
50-125	3	100L	65	50	100	187	309	596	292	132	160	240	190	140	14	100	70	53
50-125	4	112M	65	50	100	189	328	617	292	132	160	240	190	140	14	100	70	58
50-125	5,5	132S	65	50	100	200	412	712	292	132	160	240	190	140	14	100	70	75
50-125	7,5	132S	65	50	100	200	412	712	292	132	160	240	190	140	14	100	70	80
50-160	5,5	132S	65	50	100	195	412	707	340	160	180	265	212	165	14	100	70	82
50-160	7,5	132S	65	50	100	195	412	707	340	160	180	265	212	165	14	100	70	86
50-160	11	160M	65	50	100	238	494	832	340	160	180	265	212	165	14	100	70	118
50-200	11	160M	65	50	100	238	494	832	360	160	200	265	212	165	14	100	70	123
50-200	15	160M	65	50	100	238	494	832	360	160	200	265	212	165	14	100	70	130
50-200	18,5	160L	65	50	100	238	494	832	360	160	200	265	212	165	14	100	70	142
50-200	22	180M	65	50	100	238	575	913	360	160	200	265	212	165	14	100	70	216



3000 rpm / (d/d)

Pump Type Pompa Tipi	Motor		Dimensions / Ölçüler (mm)														Weight Ağırlık (kg)	
			Outside Dimensions / Dış Ölçüler															
	kW	IEC	DNe	DNb	A	B	Lm	L	H	h1	h2	n1	n2	n3	s1	m1		m2
50-250	18,5	160M	65	50	100	241	494	835	405	180	225	320	250	190	14	125	95	152
50-250	22	180M	65	50	100	241	575	916	405	180	225	320	250	190	14	125	95	227
50-250	30	200L	65	50	100	241	630	971	405	180	225	320	250	190	14	125	95	300
50-250	37	200L	65	50	100	241	630	971	405	180	225	320	250	190	14	125	95	310
65-125	4	112M	80	65	100	191	328	619	340	160	180	280	212	150	14	125	95	61
65-125	5,5	132S	80	65	100	202	412	714	340	160	180	280	212	150	14	125	95	80
65-125	7,5	132S	80	65	100	202	412	714	340	160	180	280	212	150	14	125	95	83
65-125	11	160M	80	65	100	242	494	836	340	160	180	280	212	150	14	125	95	115
65-160	11	160M	80	65	100	243	494	837	360	160	200	280	212	150	14	125	95	125
65-160	15	160M	80	65	100	243	494	837	360	160	200	280	212	150	14	125	95	130
65-160	18,5	160L	80	65	100	243	494	837	360	160	200	280	212	150	14	125	95	142
65-200	18,5	160L	80	65	100	239	494	833	405	180	225	320	250	190	14	125	95	150
65-200	22	180M	80	65	100	239	575	914	405	180	225	320	250	190	14	125	95	224
65-200	30	200L	80	65	100	239	630	969	405	180	225	320	250	190	14	125	95	194
65-200	37	200L	80	65	100	239	630	969	405	180	225	320	250	190	14	125	95	303
65-250	22	180M	80	65	100	243	575	918	450	200	250	360	280	200	19	160	120	236
65-250	30	200L	80	65	100	243	630	973	450	200	250	360	280	200	19	160	120	310
65-250	37	200L	80	65	100	243	630	973	450	200	250	360	280	200	19	160	120	320
65-250	45	225M	80	65	100	243	685	1028	450	200	250	360	280	200	19	160	120	390
65-250	55	250 M	80	65	100	273	752	1125	450	200	250	360	280	200	19	160	120	476
80-160	11	160M	100	80	125	240	494	859	405	180	225	320	250	190	14	125	95	126
80-160	15	160M	100	80	125	240	494	859	405	180	225	320	250	190	14	125	95	132
80-160	18,5	160L	100	80	125	240	494	859	405	180	225	320	250	190	14	125	95	144
80-160	22	180M	100	80	125	240	575	940	405	180	225	320	250	190	14	125	95	218
80-200	18,5	160L	100	80	125	246	494	865	430	180	250	345	280	215	14	125	95	158
80-200	22	180M	100	80	125	246	575	946	430	180	250	345	280	215	14	125	95	232
80-200	30	200L	100	80	125	246	630	1001	430	180	250	345	280	215	14	125	95	305
80-200	37	200L	100	80	125	246	630	1001	430	180	250	345	280	215	14	125	95	316
80-200	45	225M	100	80	125	246	685	1056	430	180	250	345	280	215	14	125	95	386
80-250	37	200L	100	80	125	250	630	1005	480	200	280	400	315	240	19	160	120	326
80-250	45	225M	100	80	125	250	685	1060	480	200	280	400	315	240	19	160	120	396
80-250	55	250M	100	80	125	280	752	1157	480	200	280	400	315	240	19	160	120	482
100-160	30	200L	125	100	125	248	630	1003	480	200	280	360	280	200	19	160	120	315
100-160	37	200L	125	100	125	248	630	1003	480	200	280	360	280	200	19	160	120	325
100-160	45	225M	125	100	125	248	685	1058	480	200	280	360	280	200	19	160	120	391
100-200	30	200L	125	100	125	245	630	1000	480	200	280	360	280	200	19	160	120	304
100-200	37	200L	125	100	125	245	630	1000	480	200	280	360	280	200	19	160	120	314
100-200	45	225M	125	100	125	245	685	1055	480	200	280	360	280	200	19	160	120	385
100-200	55	250M	125	100	125	275	752	1152	480	200	280	360	280	200	19	160	120	471
100-250	45	225M	125	100	140	249	685	1074	505	225	280	400	315	240	19	160	120	401
100-250	55	250M	125	100	140	279	752	1171	505	225	280	400	315	240	19	160	120	487

○ Please contact for 3600 rpm dimensions.
Dimensions can be change according to motor brand.

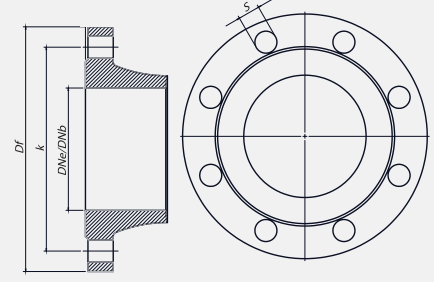
3600 d/d Ölçüleri için iletişime geçiniz. ○
Motor markasına göre boyutlar değişebilir.



FLANGE DIMENSIONS

FLANŞ ÖLÇÜLERİ

Pump Type Pompa Tipi	Suction & Discharge / Emme & Basma (PN 16)			
	Df	k	s	n
32	140	100	19	4
40	150	110	19	4
50	165	125	19	4
65	185	145	19	4
80	200	160	19	8
100	220	180	19	8
125	250	210	19	8
150	285	240	23	8
200	340	295	23	12



TS EN 1092-2 "n" Number of Holes / Delik Sayısı

SEAL SOLUTIONS

SALMASTRA ÇÖZÜMLERİ

Packing Type / Salmastra Tipi	Packing Specifications / Salmastra Özellikleri	
	Temperature / Sıcaklık	Pressure / Basınç
MG1	t = -20 °C ... +85 °C t = +85 °C ... +100 °C (*)	p1 = 16 bar (230 PSI) p1 = 16 bar (230 PSI) (*)

Note: Above datas mentioned according to BURGMANN Brand. Packing can be changed according to customer request.

*Different seal application can be used according to liquid specification.

Not: BURGMANN marka mekanik salmastraya göre belirlenmiştir. Müşteri isteğine göre salmastra marka değişikliği yapılabilir.

*Akışkan cinsi ve çalışma şartlarına göre farklı salmastra seçenekleri uygulanabilir.





SEMPA

DPT SERIES

ARS-D SERIES

ARS SERIES

TKF-M SERIES

TKF SERIES

SP SERIES

TKF-KE SERIES

STORE / MAĞAZA:

Fevzi Çakmak Mh.10644 Sk. No:43-45 Karatay / Konya / Türkiye

Tel:+90.332 237 03 31 Fax:+90.332 235 43 64

Mail: info2@sempapompa.com

FACTORY / FABRİKA:

Büyük Kayaak Mh. K.O.S.B. Kuddusi Cd. 22. Sk. No:4 Selçuklu / Konya / Türkiye

Tel:+90.332 345 32 90 Fax:+90.332 345 32 95

Mail: info@sempapompa.com